

LED Underwater Boat Light



Model
L4474600/L4475090
Installation instructions

Important: Read all instructions prior to installation.

Underwater Boat Light 9Watt CREE LED

Features

316L Marine Grade Stainless Steel housing
Borosilicate Glass Lens
45cm Power Wire (20AWG)
Internal Driver
Waterproof IP68

Specifications

9W LED Underwater Boat Light	
Input Voltage	9 ~ 32 VDC
Current Draw	0.45 A @ 13.5VDC
Total Power Consumption	6.1W @ 13.5VDC
Operating Temperature	-22 F ~ 122 F (-30 C ~ 50 C)
Available Colours	Blue, White
LED Lifetime	50,000 Hours
LED Brand	CREE
Warranty	2 Years
Dimensions	D 80 mm x 25 mm
Weight	0.20 Kg

Parts included

- 1 - Underwater Boat Light 9 Watt CREE LED
- 3 - M4 screws
- 3 - M4 Nylock nuts
- 3 - 4 mm self tapping screws
- 3 - Washers
- 3 - Nylon washers

Recommended tools (not included)

- Drill and drill bits
- Screwdriver
- Heavy grit sandpaper
- Crayon pencil to mark the holes
- Alcohol lint free cloths
- Marine sealant

Caution

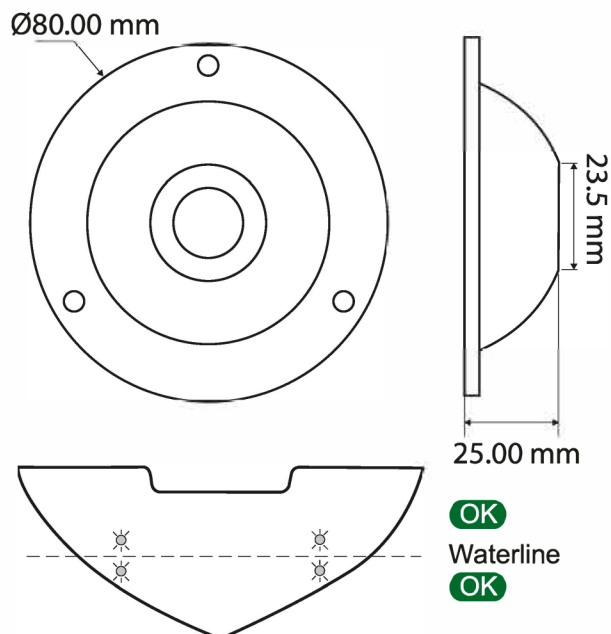
THESE SPOTLIGHTS ARE NORMALLY USED AS UNDERWATER LIGHTS AND ARE THEREFORE MOUNTED BELOW THE WATERLINE.

THANKS TO THEIR STRUCTURE, THEY CAN BE MOUNTED ALSO ABOVE THE WATERLINE AND USED AS PLATFORM LIGHTS.

THE INSTALLATION OF THE LIGHTS MUST BE DONE WHEN THE BOAT IS OUT OF THE WATER AND WITH THE DRY HULL.

WE DO NOT RESPOND FOR ANY INJURY OR PROPERTY DAMAGE INCURRED DUE TO IMPROPER INSTALLATION.

1. Drill 5 mm through hole in centre of desired location and feed power wire through hole into the boat. Hold light flush against transom and mark the location for mounting screws with a crayon pencil.
2. Use sandpaper to rough up the surface and to remove any debris from drilling. Clean area using alcohol and lint free cloth.
3. Apply a uniform layer of marine sealant to back side of the light, especially around the mounting holes and wire connection.
4. Feed power wire back through 5 mm hole into the boat and press light against transom using uniform pressure. Use mounting screws and washers to tighten the light to the transom.
5. Ensure the light is solidly attached to hull and that marine sealant has fully cured prior to putting boat into the water. Lights may also be tested while out of water.



Wiring diagram

